

PICOSTAT

Swiss based Trafag is a leading international supplier of high quality sensors and monitoring instruments for measurement of pressure and temperature.



Applications

- Shipbuilding
- Engine manufacturing
- Railways
- Machine tools



Features

- Compact design
- Rugged housing
- Improved vibration resistance
- Protection IP65
- Any mounting position possible

Technical Data			
Measuring principle	Bellow	Repeatability	± 0.5 % FS typ. @ 25°C
Measuring range	0 ... 4 to 2 ... 25 bar	Media temperature	-25°C ... +125°C
Output signal	1 Floating change-over contact (SPDT)	Ambient temperature	-25°C ... +85°C
Switching differential	Not adjustable	Approval / conformity	ABS, BV, CCS, GL, DNV, LRS, KRS, NKK, RINA, RMRS EN60730-1/ EN60730-2-6: Typ 2.B.H

02/2017

Data sheet H72362h

Subject to change

Ordering information/type code

		9B4 .	XX	XX	XXX	XX	XX
Microswitch	Standard ¹⁾		33				
	Switch with gold plated contacts ^{1) 2)}		35				
Range	Range [bar]	Over pressure [bar]					
	0 ... 4	12	76				
	0 ... 6	12	77				
	1 ... 10	24	78				
	1 ... 16	24	79				
	2 ... 25	40	80				
	4 ... 40 ³⁾	50	81				
Sensor	Sensor material	Sensor housing material	Range				
	Bronze (CuSn6)	Aluminium EN AW-6026 AlMgSiPb0.4 anodized	76, 77			750	
	Bronze (CuSn6)	Aluminium EN AW-6026 AlMgSiPb0.4 anodized	78, 79			751	
	Bronze (CuSn6)	Aluminium EN AW-6026 AlMgSiPb0.4 anodized	80, 81			752	
Pressure connection	G1/4" female						04
Accessories	Flange with O-Ring						11
	Female electrical connector EN175301-803-A (DIN43650-A)						46
	Welsh plug G1/4"						74
	Fixing set						V3
	Switch point adjustment on customers request						
	Please indicate when ordering:						
	- Switchpoint including measurement unit (kPa, bar, MPa, psi, abs. or rel.)						88
- Increasing or decreasing							
Damping elements and snubber see data sheet H72258							

¹⁾ Switching differential not adjustable

²⁾ Upon request (without ship approval)

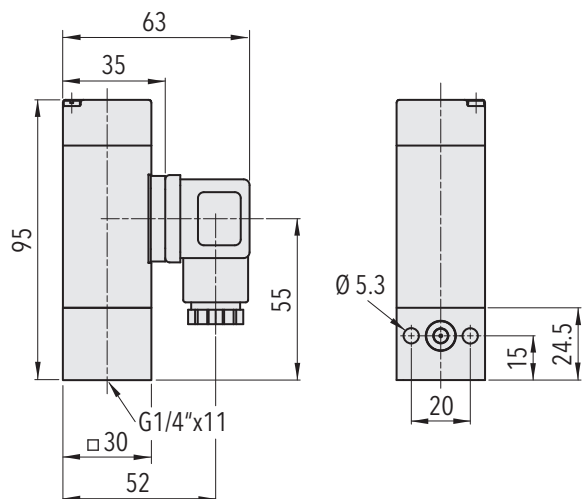
³⁾ Without ship approval

Specifications		
Accuracy	Repeatability	± 0.5 % FS typ. @ 25°C
	Switching differential	See table
	Adjustment range switchpoint ²⁾	10% ... 90% FS
	Temperature dependence switching point	Appr. 0.1% FS/°C typ.
Environmental conditions	Ambient temperature	-25°C ... +85°C
	Media temperature	-25°C ... +125°C
	Storage temperature	-40°C ... +85°C
	Protection ¹⁾	IP65
	Humidity	Max. 95 % relative
	Vibration	Switch 33: IEC/EN 60068-2-6 10..59 Hz: ±0.75mm Ampl. 59..500 Hz: 10 g
	Shock	50g/ 3 ms
Mechanical Data	Sensor	See ordering information
	Housing	Aluminium EN AW-6026 AlMgSiPb0.4 anodized
	Sealing	FKM 75 Sh
	Male electrical plug	PA, Polyamide
	Mounting torque	See accessories
	Installation	any position
	Weight	~ 160 g
Microswitch	Rating	See table
	Resistance of insulation	500 VDC > 10 MΩ
	Dielectric strength	IEC/EN 60730-1: >1.45 kVAC/60 s terminal ground >500 VAC/60 s against open contacts
Electrical connection	Electrical connections	EN175301-803-A (DIN43650-A)
	Female electrical connector	Cable-Ø: 4...9 mm Terminal screw: 4 x 0.5...1.5 mm ²

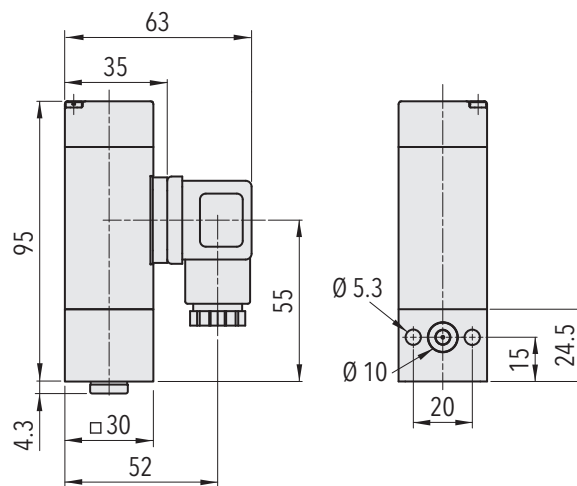
¹⁾ Provided female connector is mounted according to instructions

²⁾ Other adjustment ranges upon request

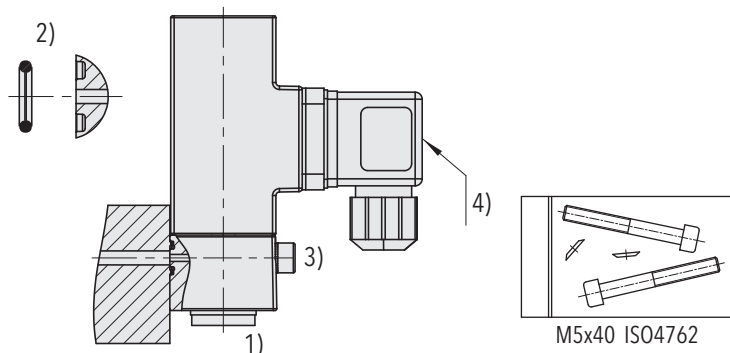
Dimensions



9B4.XXXX.7XX.04.46.V3

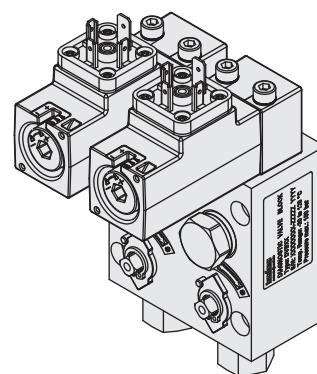


9B4.XXXX.7XX.04.11.46.74.V3



9B4.XXXX.XXX.XX.11

9B4.XXXX.XXX.XX.V3




Diagnostic Valve Bloc (DVB)
see specification sheet H72361

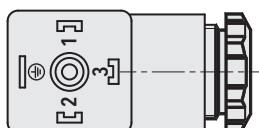
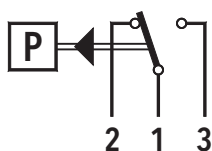
- 1) Torque: G 1/4": $M_A = 32 \dots 40 \text{ Nm}$
- 2) O-Ring: $\varnothing 6.75 \times 1.78$
 $\geq 250 \text{ bar FKM 90 Sh}$
 $< 250 \text{ bar FKM 70 Sh}$
- 3) Fixing screw: M5; property class: 8.8; torque: 4.5...6 Nm
- 4) Torque connector center screw: max. 0.4 Nm

Switching differential typ. @ 25°C

Measuring range of bellows sensor	[bar]	0 ... 4	0 ... 6	1 ... 10	1 ... 16	2 ... 25	4 ... 40
Microswitch 33/35	[bar]	0.3	0.3	0.6	0.6	1.5	1.8
Switching differential (not adjustable)							

Electrical data switch

Type	Features	Rating	
		Resistive Load (Inductive Load)	
		AC	DC
33	Silver contacts	240 V, 6 (2) A	220 V, 0.2 (0.1) A 110 V, 0.4 (0.25) A 48 V, 2 (1) A 24 V, 6 (3) A 12 V, 6 (6) A
35 	Gold plated contacts, suitable for intrinsically safe control circuits	max. 30 V, 0.3 A min. 4 V, 1 mA	



EN175301-803-A

Additional information

Documents	Data sheet	www.trafag.com/H72362
	Instructions	www.trafag.com/H73362
	Flyer	www.trafag.com/H70923